

**Single Rack Oven - Electric**

**Model LRO-1E5**



LRO-1E5 (Rack not included)



Meets UL 197 and NSF 4 Standards

**Short Bid Specification:**

Rack oven shall be an **LBC Bakery Equipment Model LRO-1E5** electrically heated, rotating, single rack capacity oven. Oven is manufactured with waterfall type steam generation system and 5" thick compartment insulation. Oven is rated for 0" combustible wall clearance at sides and back. Oven has a heavy-duty rack lift with gear-driven rotation system, digital control or optional touch screen control with Android™, integrated hood meeting NFPA 96 and Type I & II construction standards, plus all the features listed.

**Standard Product Warranty:**

One Year Parts and Labor (Contiguous US, Alaska, Hawaii & Canada)

**Maximum Capacities per Oven:**

18" x 26" full-size Sheet Pans †	20
12" x 20" x 4" Hotel Pans #	26
1 lb loaves of bread	100
1-1/2 lb loaves of bread	50

† Based on 3" spacing # Based on 6" spacing

**Construction Features:**

- Heavy-duty stainless steel interior and exterior
- Cooking compartment insulated with 5" high-temp insulation
- Automatic, heavy-duty "B" style lift and gear-driven rotation system
- Low watt-density tubular elements operate at lower temperatures for extended life
- Heavy-duty door with 16" x 57.5" double pane viewing window
- Interior door safety release mechanism
- Oven accommodates one single rack

**Performance Features:**

- 100-525 deg F temperature range
- High volume, waterfall steam system
- Three-point, air circulation system with adjustable shutters
- Self adjusting clutch protects operator and prevents damage
- Rack drive automatically stops, lifts and lowers with door operation
- Racks load at floor level (no ramp)

**Integrated Hood Features and Performance:**

- Meets the construction requirements of NFPA 96 & UMC for Type I & II Hoods (fire system, if required, shall be by others)
- Fully integrated hood with single point exhaust connection
- 20 ga fully welded stainless steel body construction
- 12 sqft hood capture area. Filter Velocity = 120 fpm @ 0.3" w.c. and 530 cfm

**Control Features:**

- **Digital Display Control** (Standard):
  - Two control modes with programmable features
    - > Single-step cooking mode:
      - » 40 programmable recipes with 6 quick select buttons
    - > 6-step cooking mode:
      - » 30 programmable recipes
  - Programmable features: Steam, Vent, Blower Delay and Pulse Air
  - Selectable Automatic Temperature Setback
- **Manual Backup Control** (Standard):
  - Manually control heat and blower, lights and rotation, and steam
- **Touch Screen Control with Android™** (Optional):
  - 8" full-color graphic display and touch screen
  - Easy-to-select recipe list with photos
  - Large storage library for recipes with up to 6 steps
  - Full feature recipe programming or manual operation
  - Edit recipe name, recipe number, and photo
  - Recipe day planner
  - 3 user levels with customizable user permissions
  - Bi-directional email access to recipes and day planner
  - Wi-Fi interface

## Single Rack Oven - Electric

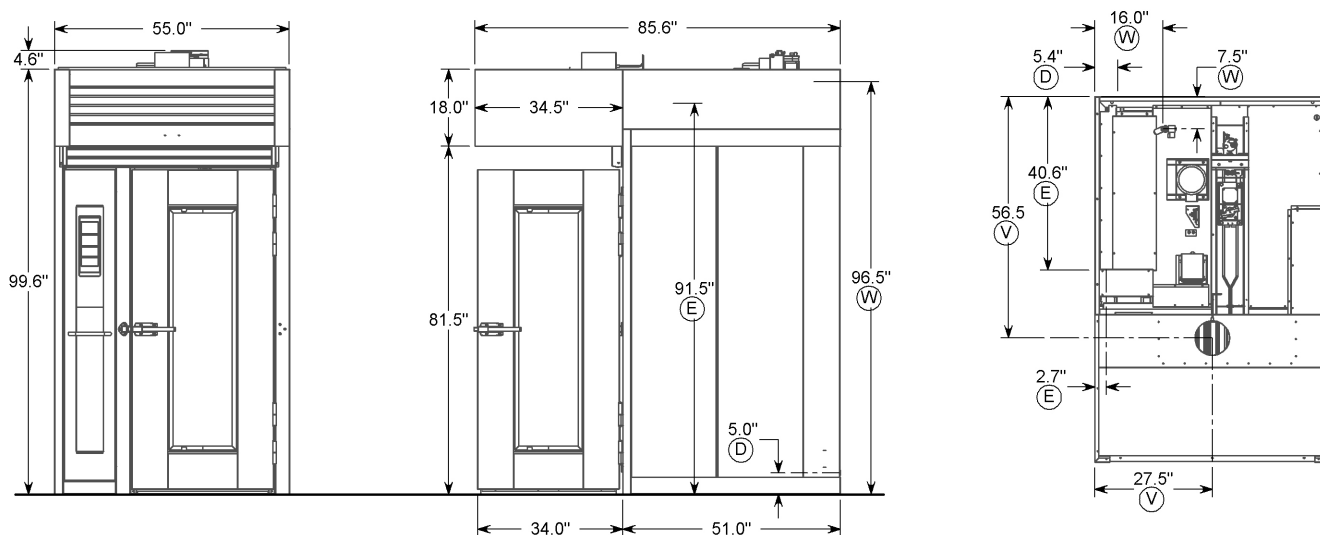
## Model LRO-1E5

### Installation Requirements:

- Factory authorized start-up required
- Oven ships in one piece but may be split into two halves for movement through 36" opening
- 112" ceiling clearance required for tip-up
- No buried utilities under floor
- Floor must be noncombustible supported by noncombustible structure
- Clearance from combustible surfaces: 0", sides and back

### Options and Accessories:

- |   |  |  |
|---|--|--|
| <input type="checkbox"/> "C" Lift                           | <input type="checkbox"/> 120V, 1ph and 240V, 3ph, 60hz Electrical                              | <input type="checkbox"/> Single Oven Racks             |
| <input type="checkbox"/> Touch Screen Control with Android™ | <input type="checkbox"/> 120V, 1ph and 480V, 3ph, 60hz Electrical<br>(Not Available in Canada) | <input type="checkbox"/> Correctional Security Package |
|   | <input type="checkbox"/> 480V, 3ph, 60hz Electrical  |  |



### Minimum Water Quality Requirements:

pH: 7.0-8.5
Total Hardness < 50 ppm
Chlorides < 50 ppm
Total Chlorine < 0.5 ppm
Iron < 0.3 ppm

### Utility Requirements:

Electrical Choices	(E) Voltage	Total kW	MCA	MOP	(V) Vent	(W) Water	(D) Drain
Standard	120V/208VAC, 3ph, 60Hz *	41.5	145	175	8" round collar (vent not included) ‡	1/2"NPT, cold, 9 gpm @ 40 psi †	3/4"NPT, 210 deg F, 1 gpm max
	120V/240VAC, 3ph, 60Hz *	41.5	125	150			
Option	120VAC, 1ph, 60Hz =/ 480VAC, 3ph, 60Hz = (Not Available in Canada)	40	15/60	20/70			
	480VAC, 3ph, 60Hz =	40	60	70			

† Consult your local codes for installation requirements

‡ Normal water consumption is approximately 3.5 gal/hr

\* This connection requires 5 wires: L1, L2, L3, Neutral and Ground

= This connection requires 4 wires: L1, L2, L3 and Ground

= This connection requires 3 wires: L1, Neutral and Ground

### Shipping Information:

Actual Weight	Ship Weight	Freight Class
2,500 lbs	2,900 lbs	77.5