



Manufacturers of Bakery and Foodservice Equipment

LBC Electric Rotisserie

Item No. _____
 Project _____
 Quantity _____

Models: LCR5 & LCR7



LCR5 / LCR7 Shown

Product Capacities	LCR5	LCR7
Angle Spits (sold separately)	5	7
Fork Spits (sold separately)	5	7
Baskets (sold separately)	5	7
Chicken Capacity / Oven	15 - 20	28 - 35

Short Bid Specification

Rotisserie shall be an **LBC model LCR__ (insert 5 or 7)** electrically heated oven with a digital control capable of storing up to 20 recipes. Control shall have 6 quick set buttons for most popular recipes and large LED displays for Recipe Number, Set Point, Temperature and Time. Control shall also have a 3-step cooking capability with steps for Sear, Roast and Warm/Hold. A momentary jog pushbutton shall be located for elbow-actuation to manually rotate and stop the carousel. Double-pane loading door shall have tempered full view glass with a hinged inner pane for easy cleaning. Complete rotisserie shall also include all features listed and options checked.

Standard Product Warranty

1 Year Parts and Labor (Contiguous US, Alaska, Hawaii & Canada)

Construction Features

- Stainless steel interior and exterior
- Full view double pane loading door with low-E reflective coating on door windows and hinged inner pane for easy cleaning
- Bright interior lighting
- Conveniently located jog button to safely rotate the carousel for loading and unloading cooked product
- Removable stainless steel drip pan with drain valve

Performance Features

- Capacity: (See table at left)
- Fast acting heater elements
- Top mounted fans to thoroughly circulate convection air
- Even browning on all sides of cooked product

Control Features

- Temperature Range: 145-480 deg F [63-250 deg C]
- Large displays for Recipe Number, Set Point, Temperature and Time
- 3-step cooking capability with storage capacity for 20 recipes and 6 Quick Select buttons
- Buzzer alerts when oven has reached temp and when cook is complete
- Temperature displays in deg F or deg C
- 99 hour 59 minute timer

Options and Accessories

- Voltages:
 LCR5: 208V 3ph 60Hz (standard) or 240V 1ph
 LCR7: 208V 3ph 60Hz (standard) or 240V 1ph, 240V 3ph or 240V 1ph
- Optional angle spits, fork spits and baskets in stainless steel (standard material) or with non-stick coating
- Optional non-stick carousel
- 4" [102mm] countertop legs (standard) or optional 6" [152mm] floor legs, low-profile swivel casters or a stand (LCR5 = LST5 Stand; LCR7 = LST7 Stand)
- Optional loading doors front and back
- Accessory: LRC7 Rethermalizer (for LCR7 only)
- Accessory: MSR7 Mobile Skewer Rack



Meets UL 197 and NSF 4 Standards

Sheet Number LCR5-LCR7 (Rev M - 5/16)

LBC Electric Rotisserie

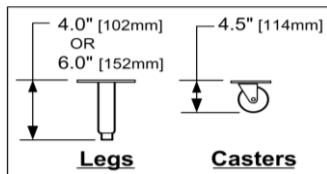
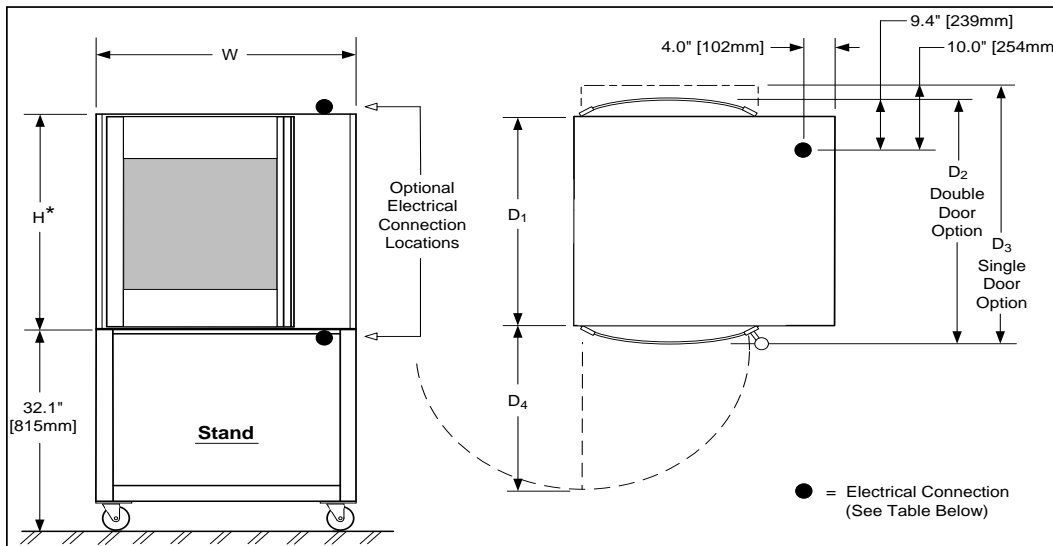
Models: LCR5 & LCR7

Installation Requirement

Each unit ships separately. Stacking may be required.

Options & Accessories (Check as Required)

- | | | |
|---|--|--|
| <input type="checkbox"/> Front & Rear Doors | <input type="checkbox"/> SS Fork Spits (standard material) | <input type="checkbox"/> Non-Stick Carousel |
| <input type="checkbox"/> 6" [152mm] Legs | <input type="checkbox"/> Non-Stick Fork Spits | <input type="checkbox"/> LRC7 Rethernalizer (for LCR7) |
| <input type="checkbox"/> Swivel Casters | <input type="checkbox"/> SS Baskets (standard material) | <input type="checkbox"/> LST5 Stand (for LCR5) |
| <input type="checkbox"/> LST5 Stand (for LCR5) | <input type="checkbox"/> Non-Stick Baskets | <input type="checkbox"/> LST7 Stand (for LCR7) |
| <input type="checkbox"/> LST7 Stand (for LCR7) | <input type="checkbox"/> 240V 1ph 60Hz (for LCR5) | <input type="checkbox"/> MSR7 Mobile Skewer Rack |
| <input type="checkbox"/> SS Angle Spits (standard material) | <input type="checkbox"/> 208V 1ph 60Hz (for LCR7) | <input type="checkbox"/> Chain Restraint Kit |
| <input type="checkbox"/> Non-Stick Angle Spits | <input type="checkbox"/> 240V 3ph 60Hz (for LCR7) | |
| | <input type="checkbox"/> 240V 1ph 60Hz (for LCR7) | |



Model	H*	W	D ₁	D ₂	D ₃	D ₄	Actual Weight	Shipping Weight	Freight Class
LCR5	32.5" [826mm]	31.5" [800mm]	21.7" [551mm]	26.3" [668mm]	27.1" [688mm]	24.3" [617mm]	320 lbs [145kg]	450 lbs [204kg]	85
LCR7	38.4" [975mm]	38.9" [988mm]	26.5" [673mm]	32.6" [828mm]	32.6" [828mm]	31.6" [803mm]	460 lbs [209kg]	610 lbs [277kg]	85

Model	Voltage	kW	Min Circuit Ampacity		Max Breaker Size	
			1 Phase	3 Phase	1 Phase	3 Phase
LCR5	208 VAC	4.0	40	N/A	60	N/A
	240 VAC	4.0	35	N/A	60	N/A
LCR7	208 VAC	8.0	55	N/A	60	N/A
	240 VAC	8.0	50	N/A	60	N/A
	208 VAC	9.0	N/A	40	N/A	60
	240 VAC	9.0	N/A	35	N/A	60

Installation, Start-up and Training are Not Included

* Appliance height does not include legs, casters or stand. Add 4.0" [102mm] for countertop legs, 6.0" [152mm] for floor legs or 4.5" [114mm] for casters. Add 32.1" [815mm] for stand with casters.