

Deck Ovens - Electric (1, 2, 3 and 4 Pan)

Series SE-900



Construction Features:

- Heavy-duty stainless steel interior and exterior
- Removable 5/8" ceramic hearth stones
- Stackability: 1 to 4 decks
- Capacity: 1 to 4 ea 18" x 24" sheet pans per deck
- Rigid casters with leveling feet
- Full-view tempered glass doors
- Bright interior halogen lighting

Performance Features:

- 550 deg F temperature maximum
- Robust, individually-controlled steam system with manual damper supplied with every deck
- Complete steamer recovery within 20 min or less
- Tubular heaters for rapid heating
- Independently controlled top and bottom heat
- Loading doors open inward for safety and to retain heat and steam

Control Features:

- Intuitive layout
- Large digital displays for set point, actual temp and time
- Separate control for each deck
- Top and bottom heat adjustment
- 99 programmable recipes
- Three Quick Select buttons to access most-used recipes
- 99 minute timer
- Temperature displays in deg F or deg C

Optional Voltages:

- Standard Configuration: 208V, 3ph, 60Hz
- Optional Configurations:
 - 240V, 3ph, 60Hz
 - 480V, 3ph, 60Hz
 - 240V, 1ph, 60Hz (1, 2 & 3 deck ovens only)

Max Capacities per Oven Model:				
	Model	18" x 26" Sheet Pans	26" Baguettes	9" Pies
1 Pan Ovens	SE-911	1	5	6
	SE-912	2	10	12
	SE-913	3	15	18
	SE-914	4	20	24
2 Pan Ovens	SE-921	2	10	12
	SE-922	4	20	24
	SE-923	6	30	36
	SE-924	8	40	48
3 Pan Ovens	SE-931	3	15	18
	SE-932	6	30	36
	SE-933	9	45	54
	SE-934	12	60	72
4 Pan Ovens	SE-941	4	20	24
	SE-942	8	40	48
	SE-943	12	60	72
	SE-944	16	80	96

Short Bid Specification:

Appliance shall be an **LBC Bakery Equipment Model SE-9XY** [for X, enter 1 thru 4 (pan capacity per deck); for Y, enter 1 thru 4 (number of decks)], electrically heated Deck Oven. Oven will hold 18" x 26" sheet pans (see table above for product capacity) and shall have stainless steel interior and exterior, full-view tempered glass doors that open up and in, interior lighting, 5/8" ceramic hearth, maximum set point of 550 deg F, proportionally controlled and independent top and bottom heat, 99 minute timer and a buzzer to indicate when oven has reached temp and timer has elapsed. Each deck shall have a steamer independent of deck heat. Heating elements shall be tubular.

Standard Product Warranty:

One-Year Parts and Labor (contiguous US, Alaska, Hawaii and Canada)



Meets UL 197 and NSF 4 Standards

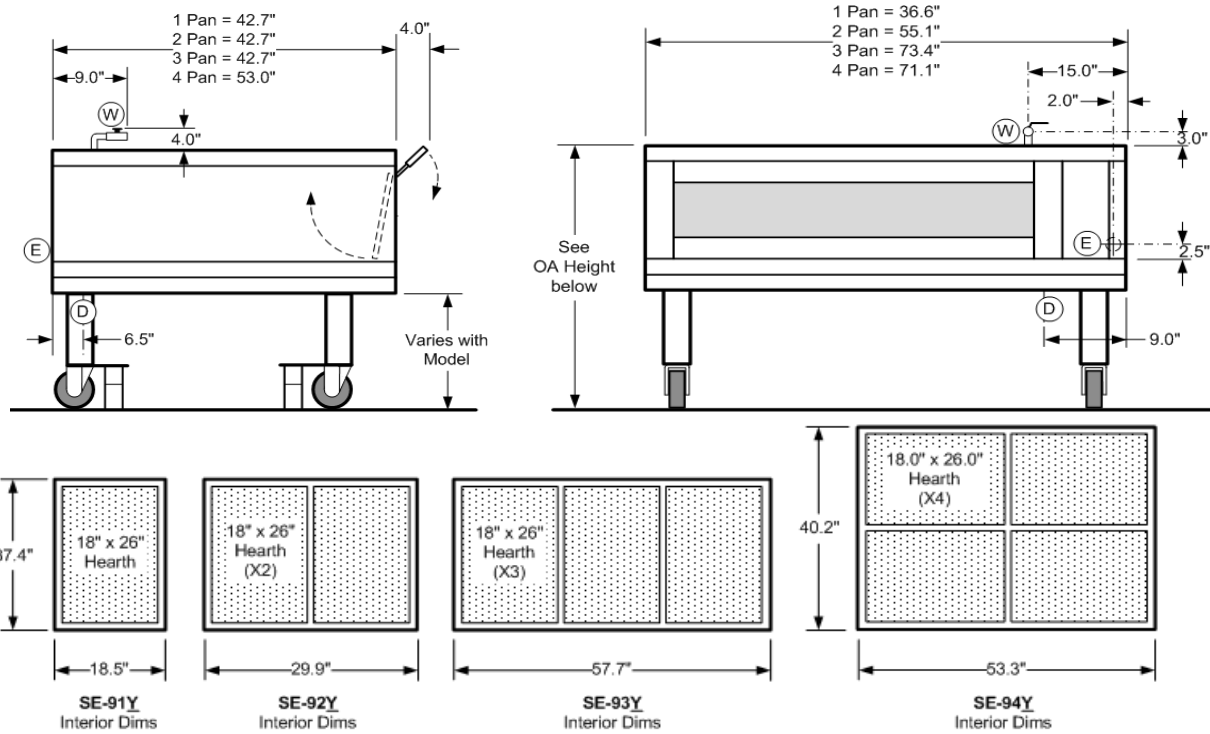
Sheet Number SE-900 (Rev H 3/18)

Installation Details and Requirements:

- Deck ovens ship fully assembled. Individual decks can be shipped at customer request (additional charges may apply).
- 208V, 3ph, 60Hz electrical required (standard configuration). Other optional voltage and phase options are also available (see table below).
- Multiple or single decks can be field connected to a single power source
- Use copper wire only (90 deg C minimum) for power connection
- Clearance to Combustibles: 1" at sides and back, 6" at top

Letter Key for Below:

- E = 1-3/4" dia knockout hole
- D = 1/4" copper drain routed to air gap drain
- W = 1/2"NPTM water connection; cold water supply @ 40 psi
- Y = Number of decks



Electrical Requirements:

Model	Voltage	3ph Amps / Stack of Decks												1ph Amps / Deck		
		1 Deck			2 Decks			3 Decks			4 Decks			Amps	Min Circuit Amps	Max Overload Protect'n
		L1/L2/L3	Min Circuit Amps	Max Overload Protect'n	L1/L2/L3	Min Circuit Amps	Max Overload Protect'n	L1/L2/L3	Min Circuit Amps	Max Overload Protect'n	L1/L2/L3	Min Circuit Amps	Max Overload Protect'n			
SE-91Y (1 Pan)	208	12.2	15	20	24.8	30	40	36.8	50	60	48.8	65	75	19.4	25	30
	240	14.1	20	25	28.0	35	45	42.4	65	80	56.8	75	90			
	480	7.1	10	15	14.4	20	25	20.8	30	35	28.8	40	45			
SE-92Y (2 Pans)	208	17.0	20	25	33.6	45	55	50.4	65	80	68.0	85	105	25.5	35	40
	240	19.6	25	30	39.2	50	60	58.4	75	90	78.4	100	120			
	480	9.8	15	20	19.2	25	30	29.6	40	45	36.0	45	60			
SE-93Y (3 Pans)	208	24.5	30	40	48.8	65	80	73.6	95	120	97.6	125	150	39.4	50	60
	240	28.3	35	40	56.8	75	90	84.8	110	130	112.8	145	175			
	480	14.1	20	25	28.0	35	45	42.4	55	65	56.8	75	90			
SE-94Y (4 Pans)	208	32.3	40	50	64.8	85	100	96.8	125	150	129.6	165	175			
	240	32.7	40	50	65.6	85	100	98.4	125	150	130.4	165	175			
	480	16.3	20	25	32.8	45	50	48.8	65	75	65.6	85	100			

OA Height and Shipping Information:

Model		1 Deck	2 Decks	3 Decks	4 Decks	Freight Class
SE-91Y (1 Pan)	OA Height	50.9"	64.6"	71.2"	70.8"	77.5
	Actual Wgt	445 lb	790 lb	1130 lb	1475 lb	
	Ship Wgt	515 lb	940 lb	1405 lb	1875 lb	
SE-92Y (2 Pans)	OA Height	51.4"	65.6"	72.7"	72.8"	
	Actual Wgt	570 lb	1040 lb	1505 lb	1975 lb	
	Ship Wgt	660 lb	1200 lb	1745 lb	2065 lb	
SE-93Y (3 Pans)	OA Height	51.4"	65.6"	72.7"	72.8"	
	Actual Wgt	600 lb	1115 lb	1630 lb	2145 lb	
	Ship Wgt	705 lb	1290 lb	1890 lb	2485 lb	
SE-94Y (4 Pans)	OA Height	51.4"	65.6"	72.7"	72.8"	
	Actual Wgt	755 lb	1460 lb	2165 lb	2870 lb	
	Ship Wgt	875 lb	1690 lb	2505 lb	3420 lb	