

LBC Roll-In Rotating Rack Oven - Electric

Model LMO Max-E



LMO Max-E (Rack not included)



Short Bid Specification:

Oven shall be an **LBC Roll-In Rotating Rack Oven, model number LMO Max-E**. Oven shall fit under a standard 6' 6" hood, measure 44.8"L x 43"W x 77"H, and shall be electrically heated. Oven shall hold LBC Oven Racks with capacities of 16 ea sheet pans (at 3" spacing), 12 (at 4") or 8 (at 6"). Racks shall be constrained at top and bottom to prevent movement and allow for smooth rotation. Oven steam system shall be air-heated and shall not include a pressure vessel. Steam time shall be 1-20 seconds at start of bake cycle. Oven shall be equipped with simultaneously-opening double doors with latch to prevent opening while operating. Control circuit shall be 120V, 1ph, 60Hz. Heater circuit shall be 208V, 3ph, 60Hz (other voltages are available).

Standard Product Warranty:

One Year Parts and Labor (Contiguous US, Alaska, Hawaii & Canada)

Rack Capacities:

Usage	LRR-Max-08 (8-Pan Rack)	LRR-Max-12 (12-Pan Rack)	LRR-Max-16 (16-Pan Rack)
18" x 26" Sheet Pans	8	12	16
18" x 13" 1/2-Size Pans	24	36	48
3-Strap Pan Bread	40	N/A	N/A
Baguettes, 8 oz	40	N/A	N/A
Cookies, 2 oz	8 dozen	12 dozen	16 dozen

Construction Features:

- Fits under 6' 6" hood
- Gear drive rotation system
- Full view double pane windows
- Double doors open simultaneously and latch to prevent accidental opening during operation
- Solid, full-length door hinge shafts
- Bright xenon interior lighting
- Stainless steel interior and exterior
- Self contained steam generation system

Performance Features:

- 24 kW heat input
- Tubular heater elements
- 3/4 hp top-mounted convection motor
- Heavy duty rotation system with self-adjusting clutch

Control Features:

- **Standard Control** (standard configuration):
 - Temperature Range: 0 to 525 deg F
 - Individual up/down buttons for Time, Temp and Steam
 - Large displays for Time, Temp and Recipe Number
 - Blower Delay, Pulse Blower and Vent control settings
 - 40 preset recipe capacity with 6 quick-select buttons for pre-saved recipes
 - Selectable automatic Temperature Setback
 - Selectable Idle-Off Mode for lights and rotation
 - Temperature displays in deg F or deg C
 - 99 minute timer
- **Cook-and-Hold Control** (optional):

Includes all features listed above for Standard Control, with the following exceptions:

 - Settable to Bake Mode or Cook-and-Hold Mode
 - 3 Cook -and-Hold Steam Hydration settings: no steam, light steam and heavy steam
 - 3 quick-select buttons for pre-saved recipes
 - 9 hour timer

Options and Accessories:

- Heater Circuit
 - 240 VAC
 - 480 VAC
- 8, 12 or 16-pan racks (sold separately)

LBC Roll-In Rotating Rack Oven - Electric

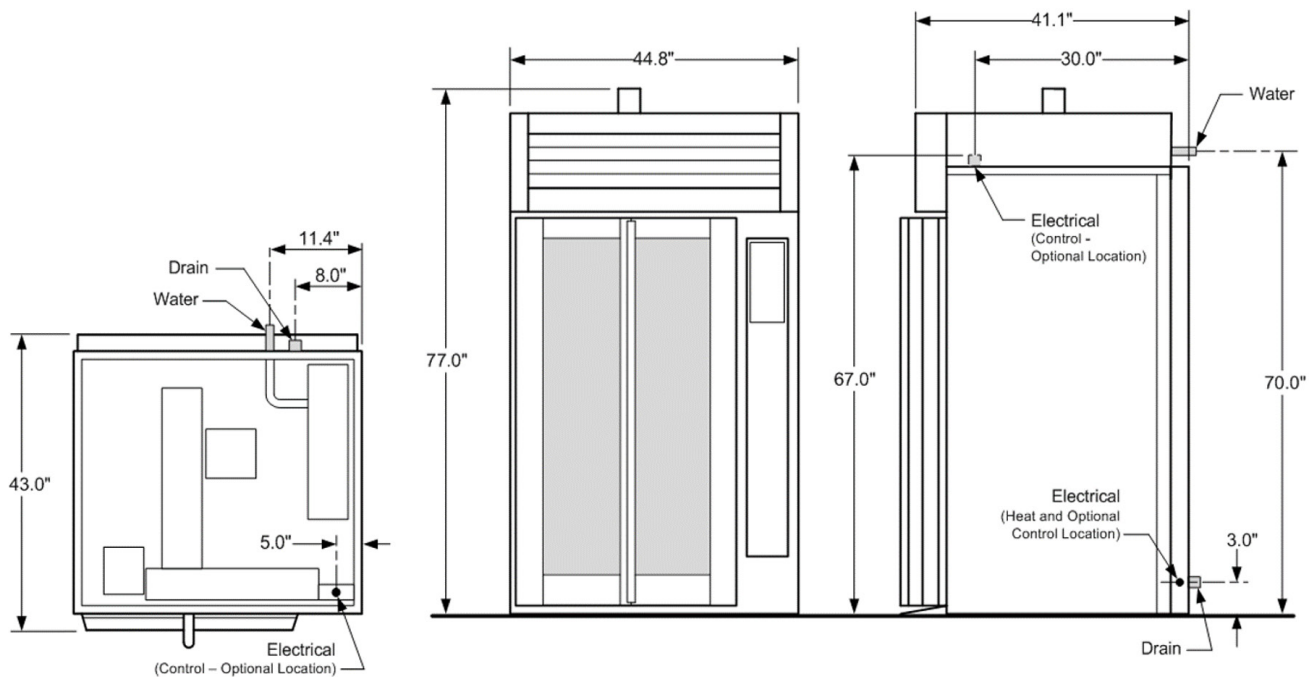
Model LMO Max-E

Installation Requirements:

- Factory authorized start-up required
- Ships assembled. Will fit through 42" opening. Will fit through 36" opening with some disassembly
- Must be installed under a hood
- Floor must be noncombustible and supported by noncombustible structure extending not less than 12" from all sides; no buried utilities
- Clearance to combustibles: 1" sides and back, 18" top

Options and Accessories:

- | | | |
|---|---|---|
| <input type="checkbox"/> 240V, 3ph Heater Circuit | <input type="checkbox"/> LRR-MAX-16, 16-Pan Rack (3" spacing) | <input type="checkbox"/> Cook and Hold Control |
| <input type="checkbox"/> 480V, 3ph Heater Circuit | <input type="checkbox"/> LRR-MAX-12, 12-Pan Rack (4" spacing) | <input type="checkbox"/> 74000-51 Water Connection Kit |
| <input type="checkbox"/> Type I Hood | <input type="checkbox"/> LRR-MAX-8, 8-Pan Rack (6" spacing) | <input type="checkbox"/> 72610-48 Water Filtration Assembly |



Minimum Water Quality Requirements:

Alkalinity < 22 ppm	Magnesium < 0.65 ppm
Aluminum < 17 ppm	pH = 8.5
Calcium < 3 ppm	Sodium < 8.5 ppm
Free Chlorine Radical < 0.6 ppm	Total Hardness < 11.9 ppm

Utility Requirements:

Total kW	Voltage, ph, Hz	MCA	MOP	(W) Water	(D) Drain
24.0 (Heaters)	208V, 3ph, 60Hz	85	100	1/2" NPT, cold, 3 gph @ 45psi	3/4"NPT, Route to air gap drain
	240V, 3ph, 60Hz	75	85		
	480V, 3ph, 60Hz	35	55		
0.7 (Control)	120VAC, 1ph, 60Hz, dedicated	15	15		

Shipping Information:

Crate L x W x H	Actual Weight	Ship Weight	Freight Class
51"L x 49"W x 84"H	1,350 lbs	1,500 lbs	77.5