



Manufacturers of Bakery and Foodservice Equipment

LBC Electric Rotisserie

Item No. _____
 Project _____
 Quantity _____

Models: LCR5 & LCR7



LCR5 / LCR5 Shown

Product Capacities:	LCR5	LCR7
Angle Spits (sold separately)	5	7
Fork Spits (sold separately)	5	7
Baskets (sold separately)	5	7
Chicken Capacity / Oven	15 - 20	28 - 35

Short Bid Specification:

Rotisserie shall be an **LBC model LCR_X** (for _X, enter 5 or 7 to indicate number of spits) electrically heated oven with a digital control capable of storing up to 20 recipes. Control shall have 6 quick set buttons for most popular recipes and large LED displays for Recipe Number, Set Point, Temperature and Time. Control shall also have a 3-step cooking capability with steps for Sear, Roast and Warm/Hold. A momentary jog pushbutton shall be located for elbow-actuation to manually rotate and stop the carousel. Double-pane loading door shall have tempered full view glass with a hinged inner pane for easy cleaning. Complete rotisserie shall also include all features listed and options checked.

Standard Product Warranty

1 Year Parts and Labor (Contiguous US, Alaska, Hawaii & Canada)

Construction Features:

- Stainless steel interior and exterior
- Full view double pane loading door with low-E reflective coating on door windows and hinged inner pane for easy cleaning
- Bright interior lighting
- Conveniently located jog button to safely rotate the carousel for loading and unloading cooked product
- Removable stainless steel drip pan with drain valve

Performance Features:

- Capacity: (See table at left)
- Fast acting heater elements
- Top mounted fans to thoroughly circulate convection air
- Even browning on all sides of cooked product

Control Features:

- Temperature Range: 145-480 deg F
- Large displays for Recipe Number, Set Point, Temperature and Time
- 3-step cooking capability with storage capacity for 20 recipes and 6 Quick Select buttons
- Buzzer alerts when oven has reached temp and when cook is complete
- Temperature displays in deg F or deg C
- 99 hour 59 minute timer

Options and Accessories:

- Voltages:
 LCR5: 208V 1ph 60Hz (standard) or optional 240V 1ph
 LCR7: 208V 3ph 60Hz (standard) or optional 208V 1ph, 240V 3ph or 240V 1ph
- Optional angle spits, fork spits and baskets in stainless steel (standard material) or with non-stick coating
- Optional non-stick carousel
- 4" countertop legs (standard) or optional 6" floor legs, low-profile swivel casters or stand (LCR5 = LST5 Stand; LCR7 = LST7 Stand)
- Optional loading doors front and back
- Accessory: LRC7 Rethermalizer (for LCR7 only)
- Accessory: MSR7 Mobile Skewer Rack



Meets UL 197 and NSF 4 Standards

Sheet Number LCR5-LCR7 (Rev N - 6/16)

LBC Electric Rotisserie

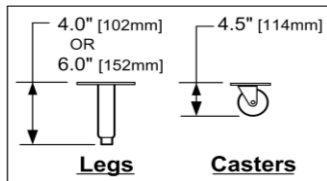
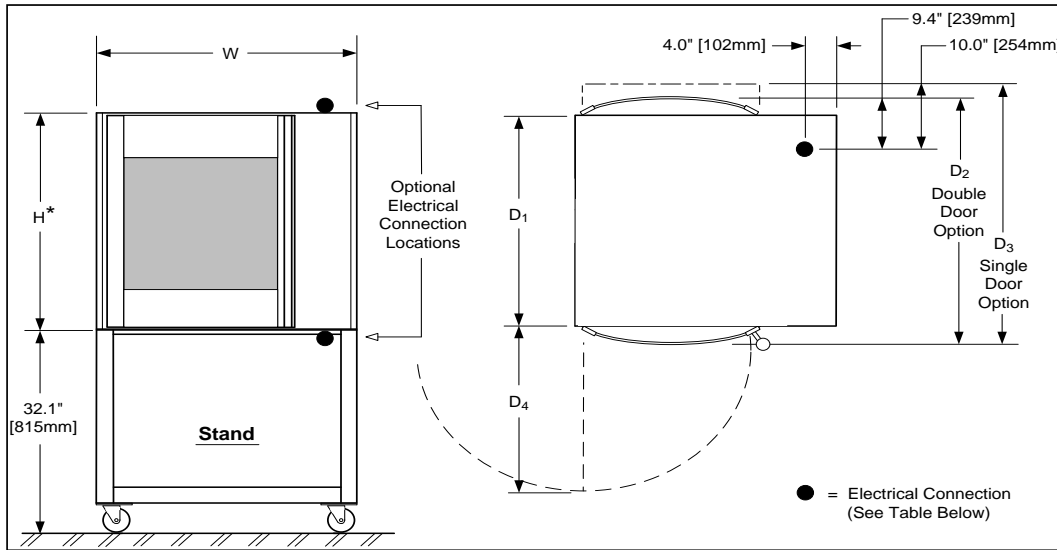
Models: LCR5 & LCR7

Installation Requirement

Each unit ships separately. Stacking may be required.

Options & Accessories (Check as Required)

- | | | |
|---|--|--|
| <input type="checkbox"/> Front & Rear Doors | <input type="checkbox"/> SS Fork Spits (standard material) | <input type="checkbox"/> Non-Stick Carousel |
| <input type="checkbox"/> 6" Legs | <input type="checkbox"/> Non-Stick Fork Spits | <input type="checkbox"/> LCR7 Rethernalizer (for LCR7) |
| <input type="checkbox"/> Swivel Casters | <input type="checkbox"/> SS Baskets (standard material) | <input type="checkbox"/> LST5 Stand (for LCR5) |
| <input type="checkbox"/> LST5 Stand (for LCR5) | <input type="checkbox"/> Non-Stick Baskets | <input type="checkbox"/> LST7 Stand (for LCR7) |
| <input type="checkbox"/> LST7 Stand (for LCR7) | <input type="checkbox"/> 240V 1ph 60Hz (for LCR5) | <input type="checkbox"/> MSR7 Mobile Skewer Rack |
| <input type="checkbox"/> SS Angle Spits (standard material) | <input type="checkbox"/> 208V 1ph 60Hz (for LCR7) | <input type="checkbox"/> Chain Restraint Kit |
| <input type="checkbox"/> Non-Stick Angle Spits | <input type="checkbox"/> 240V 3ph 60Hz (for LCR7) | |
| | <input type="checkbox"/> 240V 1ph 60Hz (for LCR7) | |



Model	H*	W	D ₁	D ₂	D ₃	D ₄	Actual Weight	Shipping Weight	Freight Class
LCR5	32.5"	31.5"	21.7"	26.3"	27.1"	24.3"	320 lb	450 lb	85
LCR7	38.4"	38.9"	26.5"	32.6"	32.6"	31.6"	460 lb	610 lb	85

Model	Voltage	kW	Min Circuit Ampacity		Max Breaker Size	
			1 Phase	3 Phase	1 Phase	3 Phase
LCR5	208 VAC	4.0	40	N/A	60	N/A
	240 VAC	4.0	35	N/A	60	N/A
LCR7	208 VAC	8.0	55	N/A	60	N/A
	240 VAC	8.0	50	N/A	60	N/A
	208 VAC	9.0	N/A	40	N/A	60
	240 VAC	9.0	N/A	35	N/A	60

Installation, Start-up and Training are Not Included

* Appliance height does not include legs, casters or stand. Add 4.0" for countertop legs, 6.0" for floor legs or 4.5" for casters. Add 32.1" for stand with casters.